

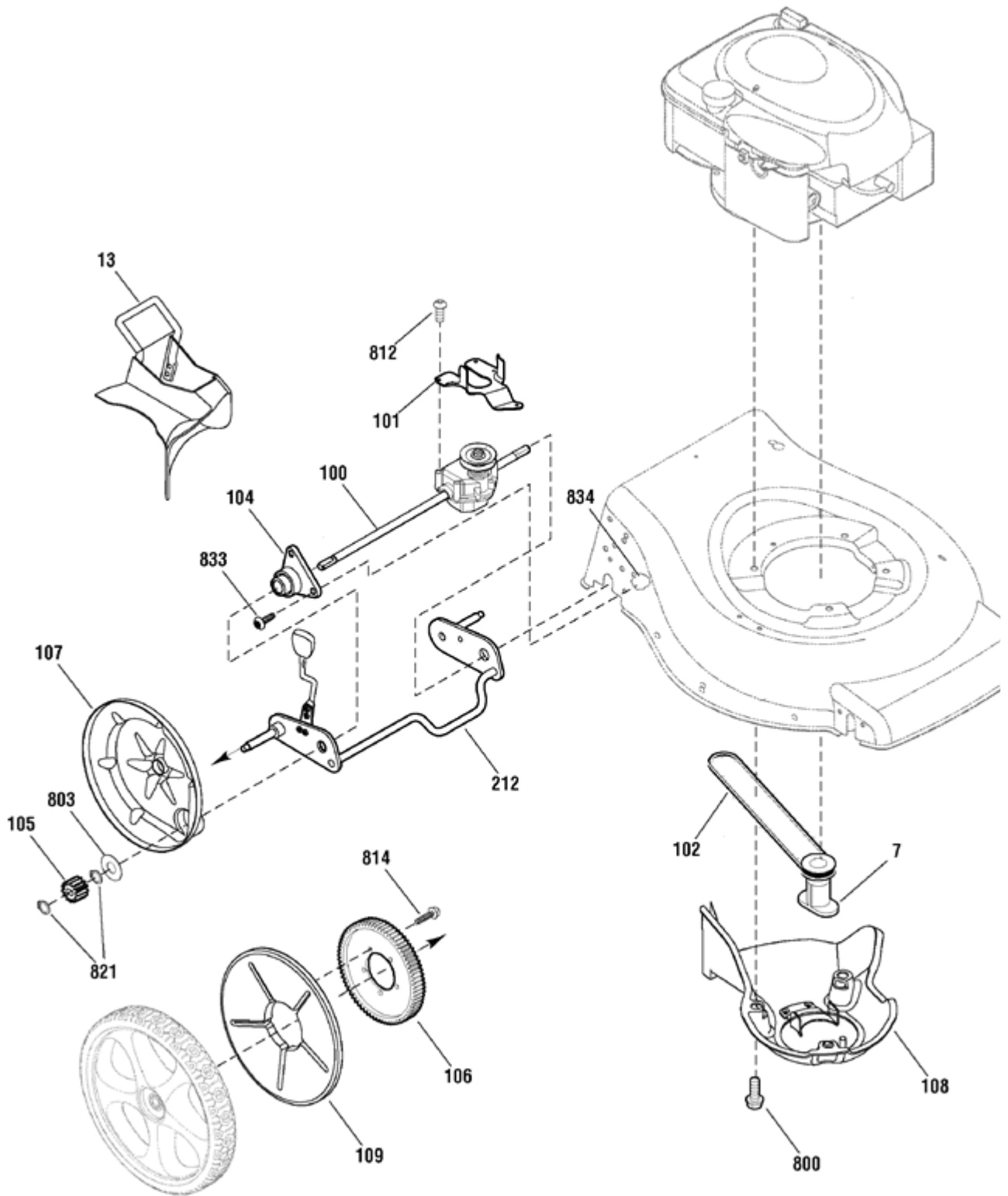











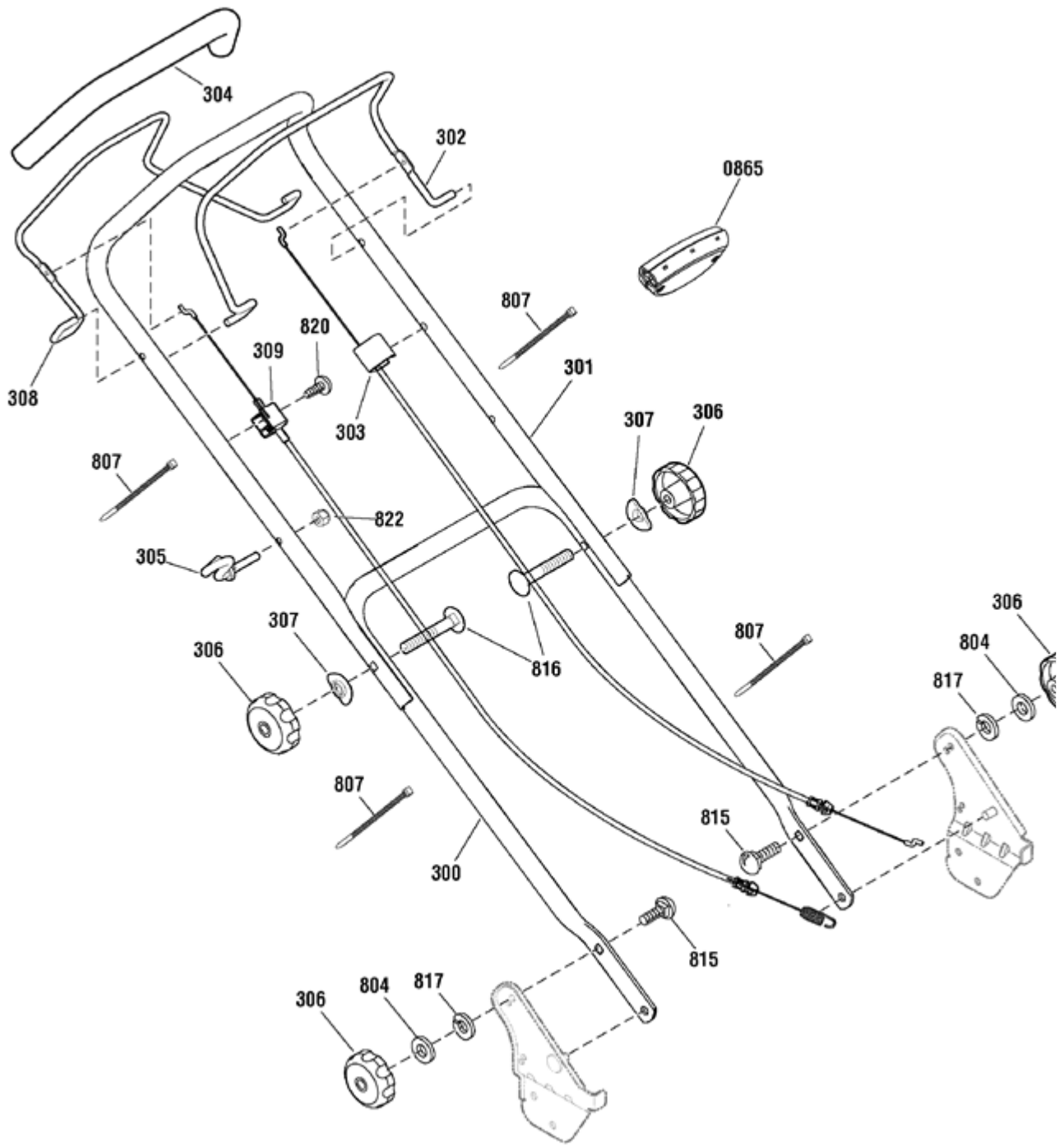
Supercessions	Ref #	Part #	Description	Qty	Context Note	Foot Note	UOM
	1	122T02-1797-B1 <a href="#">Add to pick list</a>	*ENGINE, 6.25TP Briggs & Stratton	1	(Engine Model: 122T02-1797- B1)	NOTE: * Purchase engine parts from engine manufacturer dealer.	
	1	121R02-0110-F1 <a href="#">Add to pick list</a>	*ENGINE, 8.5TP Briggs & Stratton, for 881154	1	(Engine Model: 121R02-0110- F1)	NOTE: * Purchase engine parts from engine manufacturer dealer.	
	1	----- <a href="#">Add to pick list</a>	*ENGINE, 650 Series,	1		NOTE: * Purchase engine parts from engine manufacturer dealer.	
	2	881116BIYP <a href="#">Add to pick list</a>	MOWER HOUSING	1	(Includes Ref. Nos. 300 & 302)		Ea
	3	880951AYP <a href="#">Add to pick list</a>	BRACKET ASSEMBLY, L.H.	1			Ea
	4	880950AYP <a href="#">Add to pick list</a>	BRACKET ASSEMBLY, R.H.	1			Ea
	6	880638YP <a href="#">Add to pick list</a>	BLADE, 19"	1			Ea
	7	880707YP <a href="#">Add to pick list</a>	BLADE ADAPTER ASSEMBLY	1			Ea
	8	880671YP <a href="#">Add to pick list</a>	DOOR, Rear	1			Ea
	9	880214YP <a href="#">Add to pick list</a>	ROD, Rear Door	1			Ea
	10	880942YP <a href="#">Add to pick list</a>	SPRING, Torsion Rear Door, R.H.	1			Ea
	11	880941BNYP <a href="#">Add to pick list</a>	FRAME ASSEMBLY	1	(Red)		Ea
	11	880941ZYP <a href="#">Add to pick list</a>	FRAME ASSEMBLY	1	(Black)		Ea
	11	880941BIYP <a href="#">Add to pick list</a>	FRAME ASSEMBLY	1	(Graphite)		Ea
	12	880938YP <a href="#">Add to pick list</a>	BAG ASSEMBLY	1			Ea
	13	880943YP <a href="#">Add to pick list</a>	SPRING, Torsion Rear Door, L.H.	1			Ea
	50	881108YP <a href="#">Add to pick list</a>	SIDE GUARD, R.H.	1	(Silver)		Ea
	50	881156YP <a href="#">Add to pick list</a>	SIDE GUARD, R.H.	1	(Green)		Ea
	51	881111YP <a href="#">Add to pick list</a>	SIDE GUARD, L.H.	1	(Silver)		Ea
	51	881155YP <a href="#">Add to pick list</a>	SIDE GUARD, L.H.	1	(Green)		Ea

	200	880695YP <a href="#">Add to pick list</a>	WHEEL, Rear	1			Ea
	201	880700YP <a href="#">Add to pick list</a>	HUBCAP, Rear	1			Ea
	202	880707YP <a href="#">Add to pick list</a>	WHEEL, Front	1			Ea
	203	880701YP <a href="#">Add to pick list</a>	HUBCAP, Front	1			Ea
	206	880550YP <a href="#">Add to pick list</a>	CROSSBAR ASSEMBLY, Front	1			
	208	880050YP <a href="#">Add to pick list</a>	BUSHING, Front Crossbar	1			Ea
	209	881163YP <a href="#">Add to pick list</a>	SPRING, Clip Crossbar	1			Ea
	210	881174BIYP <a href="#">Add to pick list</a>	LINK, Single Lever, High Wheel	1			
	211	880052YP <a href="#">Add to pick list</a>	SPRING, Extension	1			Ea
	213	880855BIYP <a href="#">Add to pick list</a>	REAR CROSSBAR	1			Ea
	214	880642YP <a href="#">Add to pick list</a>	SPRING, Adjuster	1			Ea
	215	880540YP <a href="#">Add to pick list</a>	LEVER, Height Adjustment	1			Ea
	216	881059YP <a href="#">Add to pick list</a>	KNOB, Adjuster	1	(Red)		Ea
	216	881148YP <a href="#">Add to pick list</a>	KNOB, Adjuster	1	(Green)		
	217	880959YP <a href="#">Add to pick list</a>	BRACKET, Height Adjuster	1			Ea
	300	880784BIYP <a href="#">Add to pick list</a>	BAFFLE, Front, 19"	1			Ea
	301	880785YP <a href="#">Add to pick list</a>	BAFFLE, Rear, 19"	1			Ea
	302	880664YP <a href="#">Add to pick list</a>	SCREW, Pan Head, Taptite, 1/4-20 x 1/2	5			Ea
	303	880804YP <a href="#">Add to pick list</a>	SCREW, Pan Head, Taptite, 1/4-15 x 5/8	5			Ea
	304	790846YP <a href="#">Add to pick list</a>	SHROUD, With Label	1	(Used on 6.5TP engine)		Ea
	305	691138 <a href="#">Add to pick list</a>	CAPSCREW, Hex Washer Head	2			
	800	0025X6MA <a href="#">Add to pick list</a>	CAPSCREW, Hex Head, 3/8- 16 x 1	1			Ea
	801	880034YP <a href="#">Add to pick list</a>	BOLT, Blade, 3/8-24 x 2	1			Ea
	802	1101989MA <a href="#">Add to pick list</a>	WASHER, Belleville	1			Ea
	804	7026257MA <a href="#">Add to pick list</a>	WASHER, Wave	1			Ea

	805	880020YP <a href="#">Add to pick list</a>	NUT, Nylock, M8 x 1-1/4	1			Ea
↷	808	015X84MA <a href="#">Add to pick list</a>	NUT, Flange, 3/8-16	1			Ea
	810	880323YP <a href="#">Add to pick list</a>	BOLT, Hex Key Head	1			Ea
↷	811	880428YP <a href="#">Add to pick list</a>	NUT, Nylock	1			Ea
	813	880339YP <a href="#">Add to pick list</a>	SCREW, Torx Head, M5 x .8 x 14mm	1			Ea
	818	7091020YP <a href="#">Add to pick list</a>	PUSHNUT, 1/4	2			Ea
↷	819	880567YP <a href="#">Add to pick list</a>	SCREW, Torx Head, M5 x .8 x 12.5mm	1			Ea
	823	880651YP <a href="#">Add to pick list</a>	BOLT, Shoulder, 5/16- 18 x 1	1			Ea
↷	824	015X88MA <a href="#">Add to pick list</a>	NUT, Flange, 5/16-18	1			Ea
↷	830	48901MA <a href="#">Add to pick list</a>	CAPSCREW , 5/16-18 x 3/4	1			Ea
	1000	700303YP <a href="#">Add to pick list</a>	DECAL KIT	1			Ea



Supercessions	Ref #	Part #	<input checked="" type="checkbox"/> Description	<input checked="" type="checkbox"/> Qty	<input checked="" type="checkbox"/> Context Note	<input checked="" type="checkbox"/> Foot Note	<input checked="" type="checkbox"/> UOM
	7	880567YP <a href="#">Add to pick list</a>	BLADE ADAPTER ASSEMBLY	1			Ea
	13	880909YP <a href="#">Add to pick list</a>	MULCH PLUG	1			Ea
	100	880604YP <a href="#">Add to pick list</a>	TRANSMISSION	1			Ea
	101	880282YP <a href="#">Add to pick list</a>	BELT GUIDE, Transmission	1			Ea
	102	880268YP <a href="#">Add to pick list</a>	V-BELT	1			Ea
	104	880787YP <a href="#">Add to pick list</a>	SLEEVE ASSEMBLY, Rear Axle	1			Ea
	105	880527YP <a href="#">Add to pick list</a>	GEAR, Pinion	1			
	106	880526YP <a href="#">Add to pick list</a>	GEAR, Drive	1			Ea
	107	880528YP <a href="#">Add to pick list</a>	DUST COVER	1			Ea
	108	880796YP <a href="#">Add to pick list</a>	BELT COVER ASSEMBLY	1			Ea
	109	880539YP <a href="#">Add to pick list</a>	COVER, Wheel	1			Ea
	212	880854YP <a href="#">Add to pick list</a>	CROSSBAR ASSEMBLY, Rear	1			
	800	0025X6MA <a href="#">Add to pick list</a>	SCREW, Hex Head, 3/8-16 x 1	1			Ea
	803	880324YP <a href="#">Add to pick list</a>	WASHER, Thrust	1			Ea
	812	880760YP <a href="#">Add to pick list</a>	SCREW, #10 x 1	1			Ea
	814	26X296MA <a href="#">Add to pick list</a>	SCREW, 1/4-15 x 3/4	1			Ea
	821	880269YP <a href="#">Add to pick list</a>	RING, External Retaining	1			Ea
	833	880845YP <a href="#">Add to pick list</a>	SCREW, Torx, 1/4-20 x 5/8	1			Ea
	834	880859YP <a href="#">Add to pick list</a>	NUT, Flange Lock, 1/4-20	1			Ea



Supercessions	Ref #	Part #	Description	Qty	Context Note	Foot Note	UOM
	300	880571AYP <a href="#">Add to pick list</a>	HANDLE, Lower	1			Ea
	301	880210AYP <a href="#">Add to pick list</a>	HANDLE, Upper	1			Ea
	302	880476BNYP <a href="#">Add to pick list</a>	LEVER, Engine Stop	1	(Red)		Ea
	302	880476ZYP <a href="#">Add to pick list</a>	LEVER, Engine Stop	1	(Black)		Ea
	302	880476BIYP <a href="#">Add to pick list</a>	LEVER, Engine Stop	1	(Graphite)		
	303	880639YP <a href="#">Add to pick list</a>	CABLE, Engine Stop	1			Ea
	304	880591YP <a href="#">Add to pick list</a>	TUBING, Foam	1			Ea
	305	672510MA <a href="#">Add to pick list</a>	GUIDE, Rope	1			Ea
	306	881056YP <a href="#">Add to pick list</a>	KNOB, 5/16-18	4	(Red)		Ea
	306	881147YP <a href="#">Add to pick list</a>	KNOB, 5/16-18	1	(Green)		
	307	880615YP <a href="#">Add to pick list</a>	WASHER, Formed	2			Ea
	308	881061AYP <a href="#">Add to pick list</a>	LEVER, Drive	1	(Black)		Ea
	308	881061BIYP <a href="#">Add to pick list</a>	LEVER, Drive	1	(Graphite)		Ea
	309	880297YP <a href="#">Add to pick list</a>	CABLE ASSEMBLY, Drive	1			Ea
	804	880607YP <a href="#">Add to pick list</a>	WASHER, 5/8	2			Ea
	807	880029YP <a href="#">Add to pick list</a>	CABLE TIE	1			Ea
	815	880576YP <a href="#">Add to pick list</a>	BOLT, Carriage, 5/16-18 x 1-1/8	2			Ea
	816	002X77MA <a href="#">Add to pick list</a>	BOLT, Carriage, 5/16-18 x 2	2			Ea
	817	22129GS <a href="#">Add to pick list</a>	WASHER, Lock	2			
	820	26X256MA <a href="#">Add to pick list</a>	SCREW, Tap, #10 x 1-1/4	1			Ea
	822	15X116MA <a href="#">Add to pick list</a>	NUT, Hex, 1/4-20	1			Ea
	865	997240YP <a href="#">Add to pick list</a>	SERVICE EXPERT	1	(Model 881165 only)		